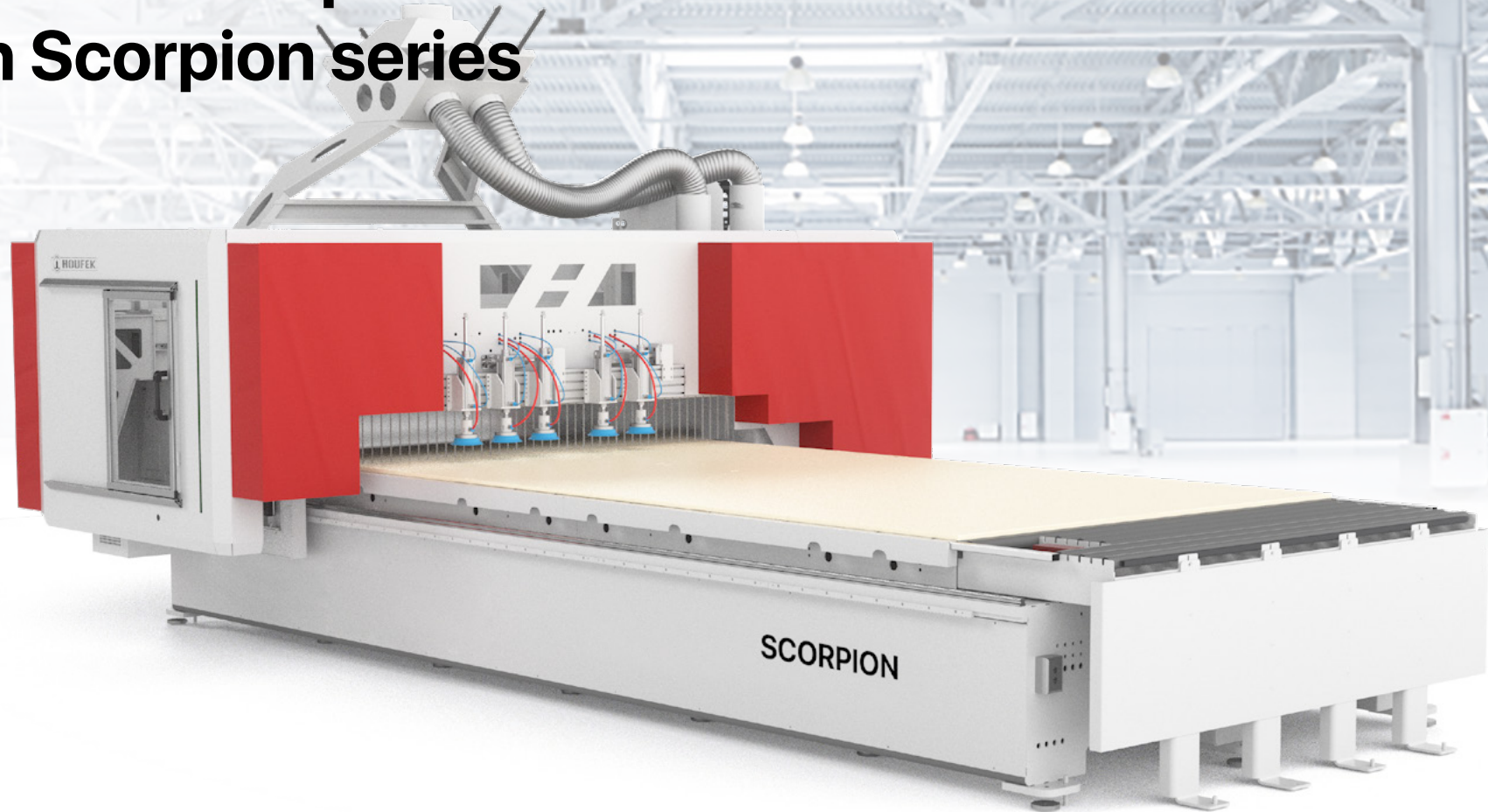


EN | SCORPION H21

Scorpion series

Precision and performance with Scorpion series



Scorpion series

High-precision CNC Centres Scorpion designed for furniture production

SCORPION H21

CNC SCORPION in the standard version, is a three-axis woodworking centre with raster table and automatic tool changing, designed for manufacturing of furniture parts and formatting of sheet materials - so-called nesting, to a work piece height of 150 mm.

The basic design of the machine is made of welds from sheet metal cinders that are subsequently annealed to reduce internal strains, and machined. Characteristic feature is the portal (bridge) construction of the cross-member.

→ Introduction

Standard and Optional equipment

Technical Specifications

Technological Solutions



Features

- **3/4-axis** woodworking centre
- Height of the workpiece up to **150 mm**
- Motor power up to **19,2 kW (S6)**
- **27"** Touchscreen control panel
- Portal (bridge) construction

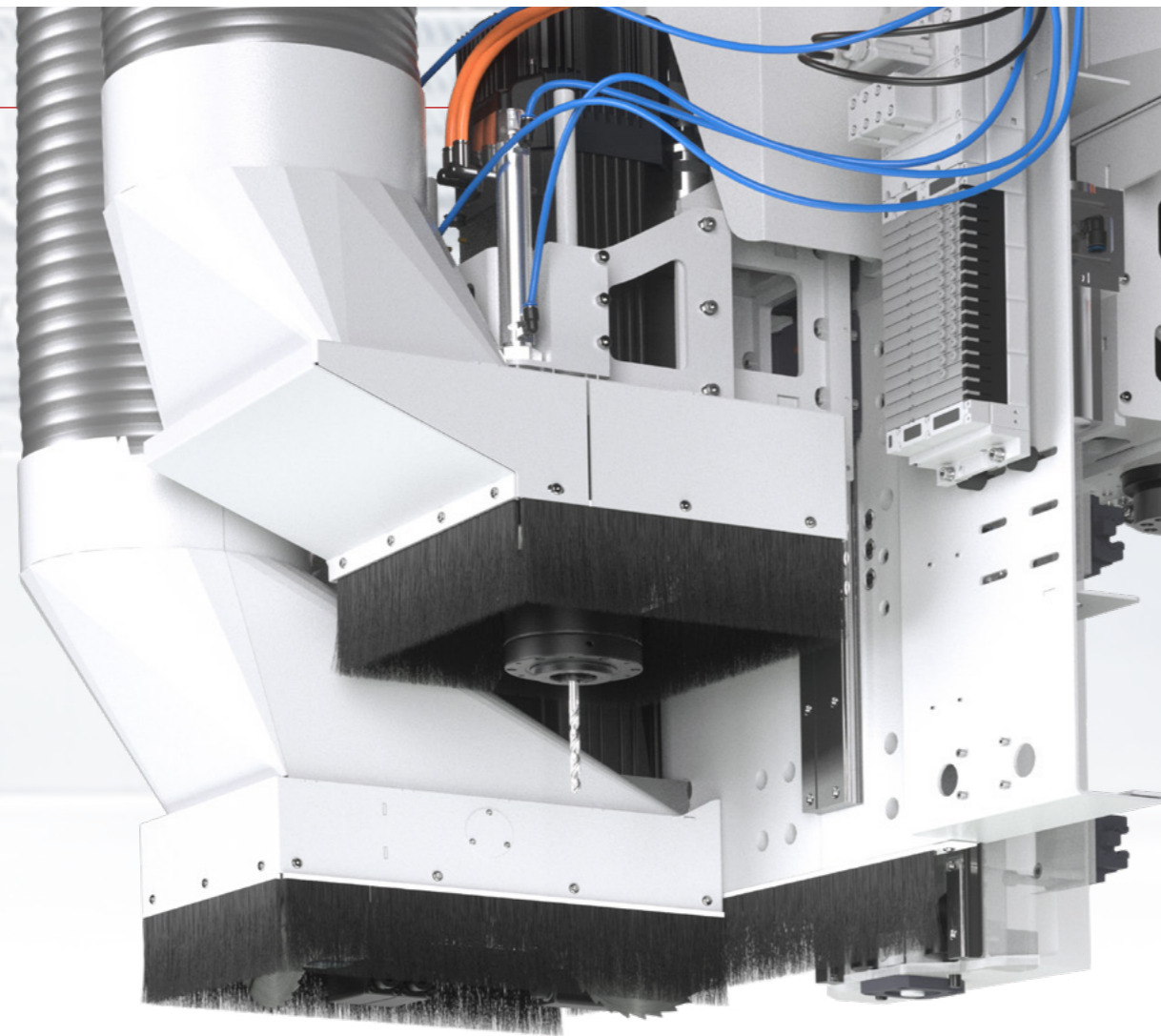
Applications

- Designed for production of furniture parts, nesting, etc.

Scorpion series

Superior productivity with Electrospindles HSD

SCORPION H21



Drill unit

- Electrospindle
- Liquid cooling
- Ceramic bearings
- Max. 24.000 rpm
- Cone HSK 63F



Saw unit

- Rotation 0° - 360°
- Max. Saw Blade diameter 250 mm
- Max. 5.600 rpm



Boring unit

- 18 Vertical drills
- 4 Double horizontal drills
- Max. 6.000 rpm

Introduction

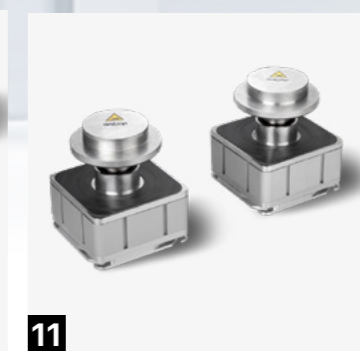
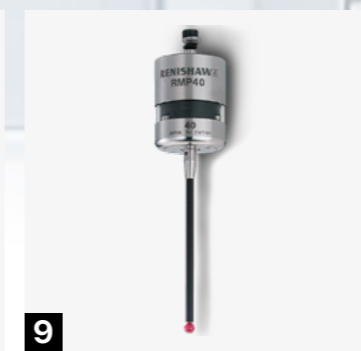
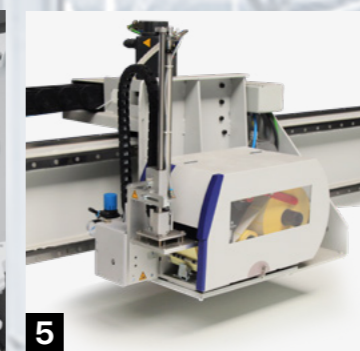
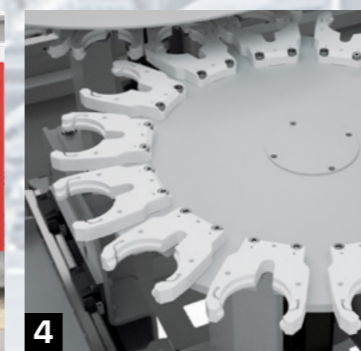
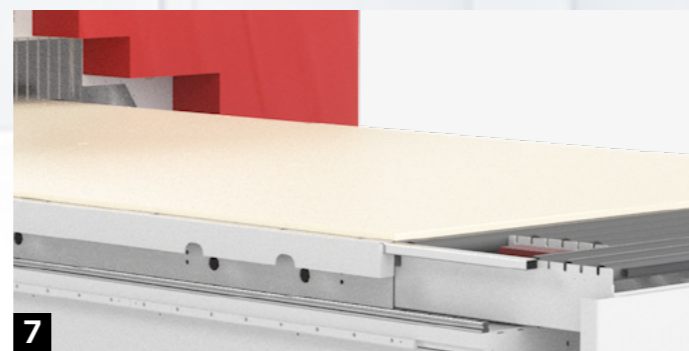
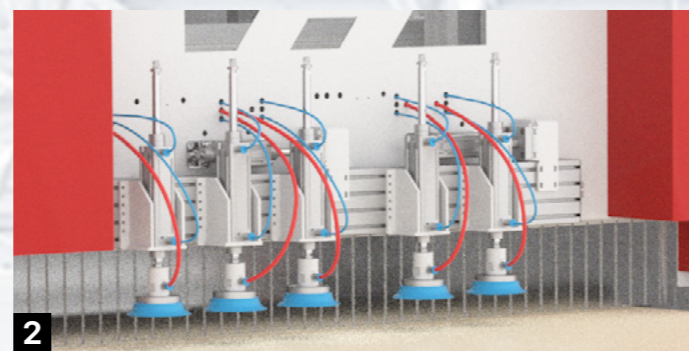
→ **Highlights**

Standard and Optional equipment

Technical Specifications

Scorpion series
Wide variety of solutions and options

SCORPION H21



Standard equipment

- Liquid cooled main milling electrical spindle 12 kW (S6)
- Raster desk supplied with grooves for distribution of vacuum (Vacuum Pump 140 m³ / h)
- Fixed instrument chamber HSK F63 14 positions
- Automatic central lubrication system
- Manual controller

Optional equipment

- Spindle 19,2 kW (S6)
- Saw blade unit 0 - 360° / 5kW / Ø 250 mm
- Drilling head 18V + 4H
- Extension of the X axis stroke by 1000 mm (max to 6200 mm)
- Rotary instrument chamber 7 / 14 / 21 pcs
- Special tool Magazine
- External tool blowing
- Laser Indicators (2 pcs)
- Laser projector
- Vacuum reservoir 500 l
- Buffers at the back of the cabin and power chain
- The tool probe TS27R
- The workpiece probe RMP40
- External tool cooling
- C - Axis Unit
- Vacuum Pump 250 m/h

- | | |
|---|---|
| 1. CONTROL PANEL | 7. LIFTING TABLE |
| 2. FEEDING EQUIPMENT | 8. AUTOMATIC CENTRAL GREASING (OPTIONAL) |
| 3. SAFETY BUMPERS | 9. WORKPIECE PROBE (OPTIONAL) |
| 4. ROTARY INSTRUMENT CHAMBER (OPTIONAL) | 10. VACUUM BLOCKS (OPTIONAL) |
| 5. PRINTER (OPTIONAL) | 11. VACUUM OR PNEUMATIC CLAMPS (OPTIONAL) |
| 6. TOOL PROBE (OPTIONAL) | |

Introduction

Highlights

→ **Standard and Optional equipment**

Technical Specifications

Scorpion series

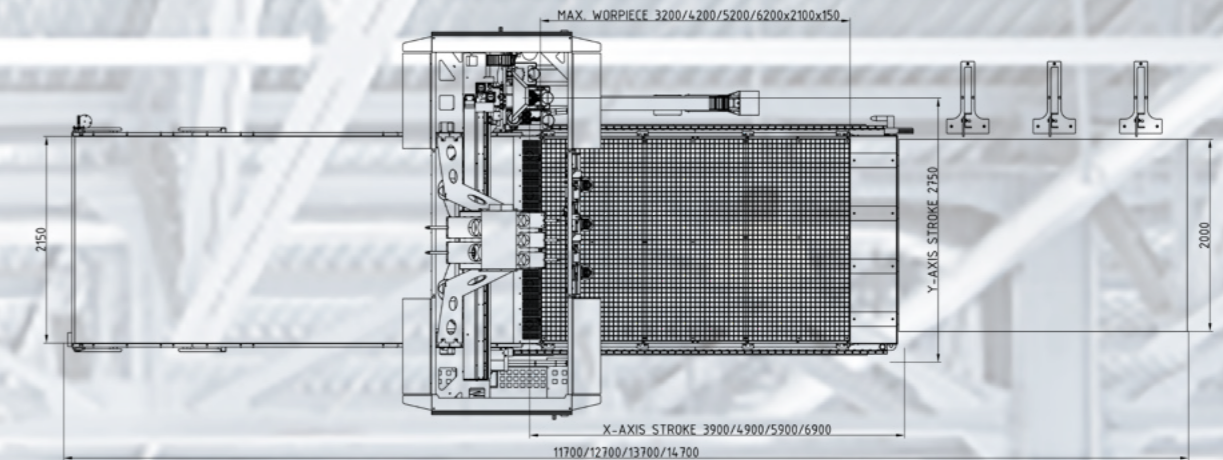
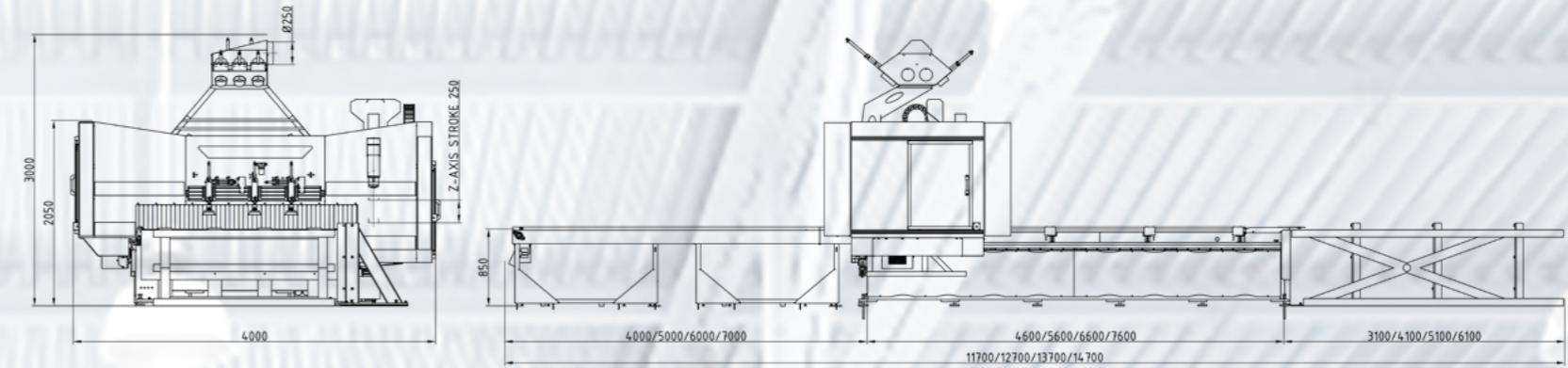
Technical Specifications

SCORPION H21

SCORPION

H21

Max. workpiece dimensions in X, Y, Z axis	mm	3200 / 4200 / 5200 / 6200 x 2100 x 150
Max. working lifts in X, Y, Z axis	mm	3900 / 4900 / 5900 / 6900 x 2750 x 250
Max. tool diameter	mm	150
Rapid traverse - X, Y, Z axis	m/min	70 / 70 / 35
Spindle performance	kW	12 / 19,2
Max. rpm	rpm	24 000
Vacuum pump	m ³ /h	130 - 250
Control system		FANUC Oi-F Basic



[Introduction](#)

[Highlights](#)

[Standard and Optional equipment](#)

→ **Technical Specifications**

CNC Centres
CNC Woodworking Centres HOUFEK

HOUFEK CNC Centres are very productive, universal and their best features are reliability and precision machining. You can also rely on the high rigidity of their construction.

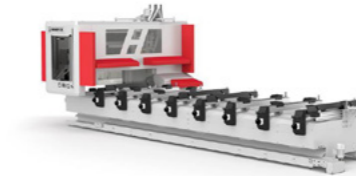


WOOD

ORION X3



ORION X5



MERCURY PLUS



SCORPION H21



ALUMINIUM

PLASTICS

COMPOSITE

WOOD

PROFORM X3



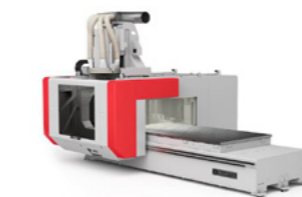
PROFORM X5



PROMAX



FENIX



TITAN





**We export to 45 countries
worldwide.
Our machines run also
in overseas states.**



**Houfek a.s.
Obora 797
582 82 Golčův Jeníkov
Czech Republic**



+420 569 430 700
+420 737 243 917
+420 737 243 911



export@houfek.com



www.houfek.com



EUROPEAN UNION
European Regional Development Fund
Operational Programme Enterprise
and Innovations for Competitiveness

